

DESIGNED BY: Ricardo
DATE: 11/11/2013
CHECKED BY: XXX
DATE: XXX
SIZE A4
SCALE 1:1
WEIGHT (kg)

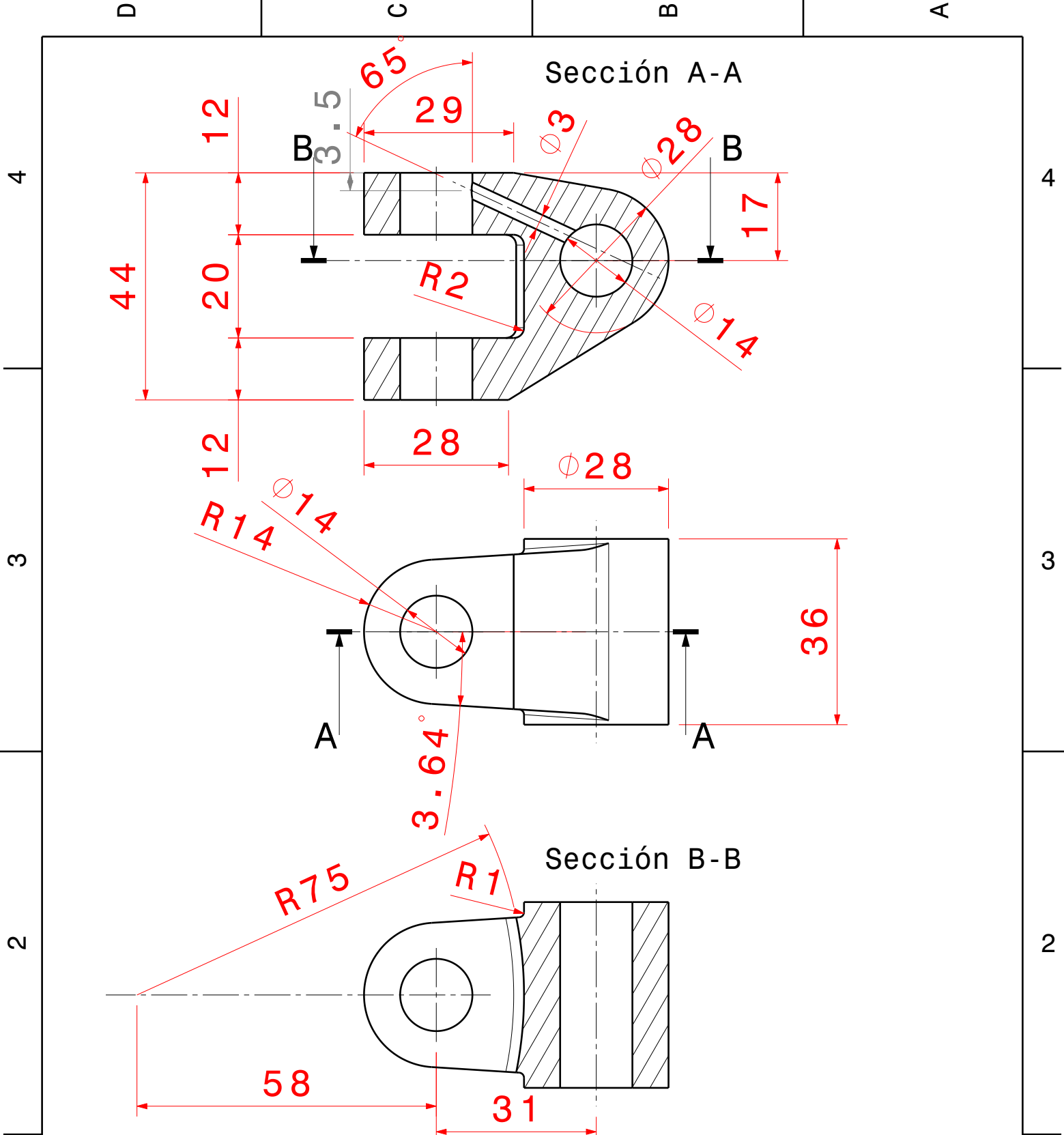


ASTEMar

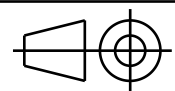
DRAWING Sola 3 Pag 139	SHEET 1 / 1
----------------------------------	-----------------------

I	-
H	-
G	-
F	-
E	-
D	-
C	-
B	-
A	-

This drawing is our property; it can't be reproduced or communicated without our written agreement.



DESIGNED BY:
Ricardo
 DATE:
06/11/2013
 CHECKED BY:
XXX
 DATE:
XXX
 SIZE
A4



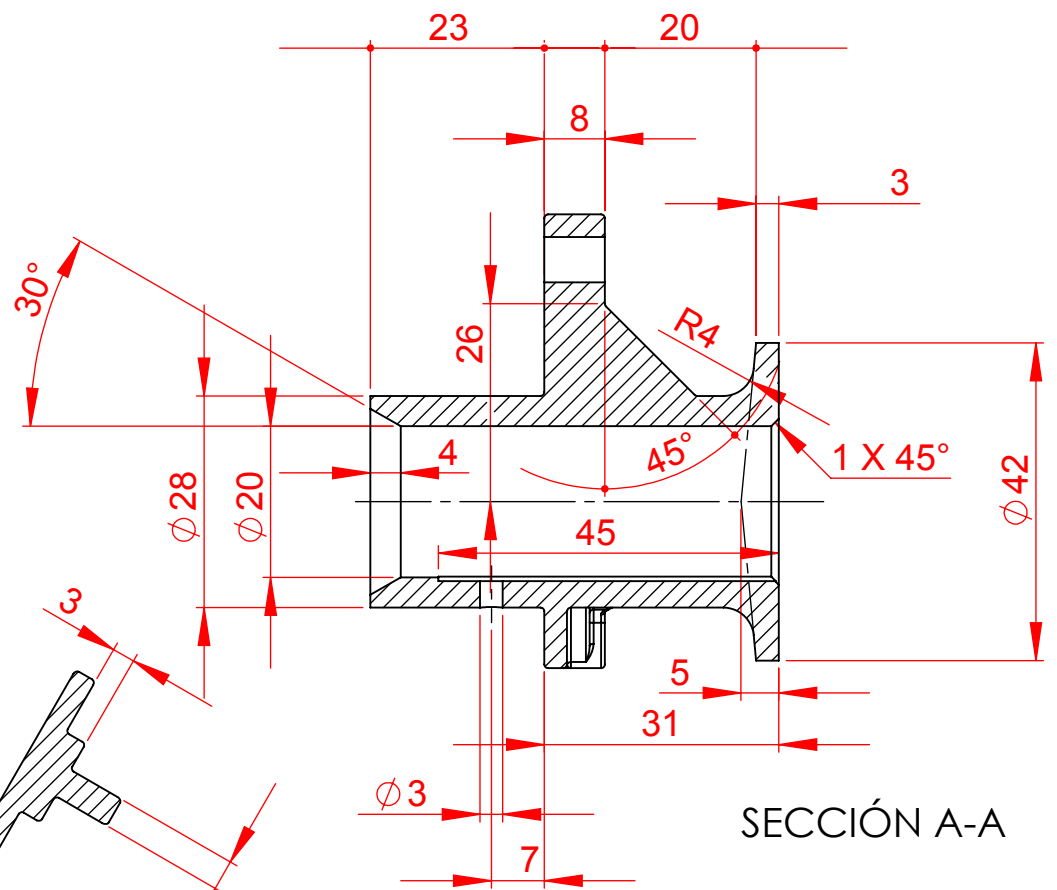
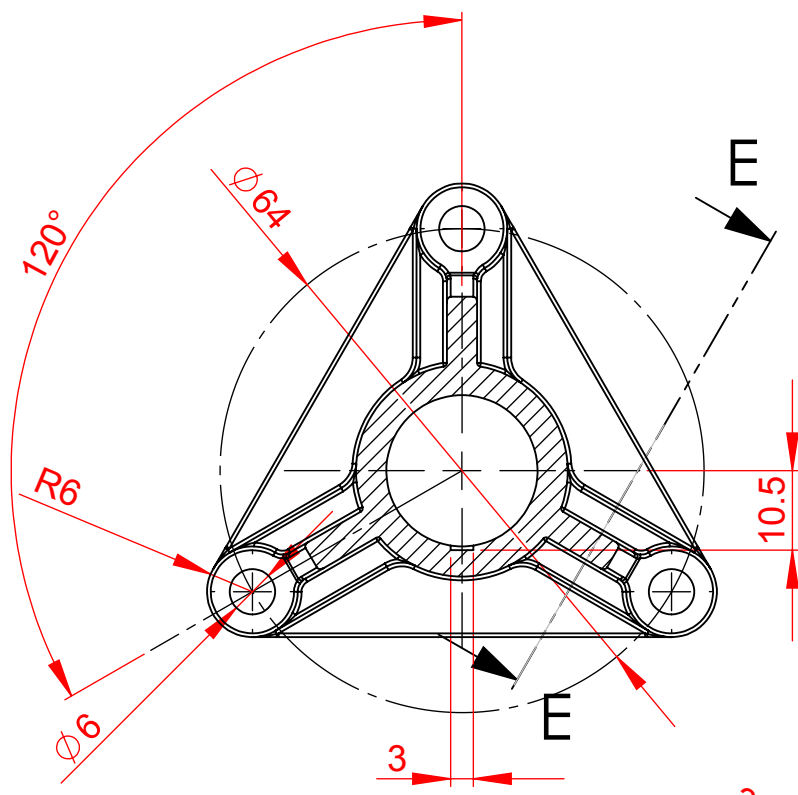


ASTEMar

Sola Torrella 3 Pag 143



I	-
H	-
G	-
F	-
E	-
D	-
C	-
B	-
A	-

This drawing is our property; it can't be reproduced or communicated without our written agreement.



SECCIÓN E-E

SECCIÓN A-A

MATERIAL	Nombre	Fecha			
	DIBUJADO	Ricardo			11-11-2013
	REVISADO				
ESCALAS	Solá 3 Pag 146			PLANO Nº	
1 : 1				Sustituye a:	
HOJA DIN A4				Sustituido por:	

Redondeos radio 0'5

Solá 3 Pag 146

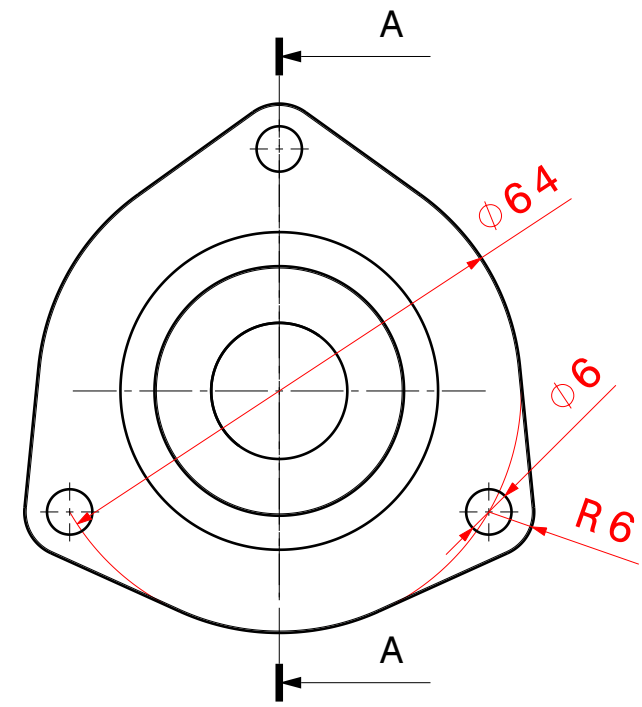
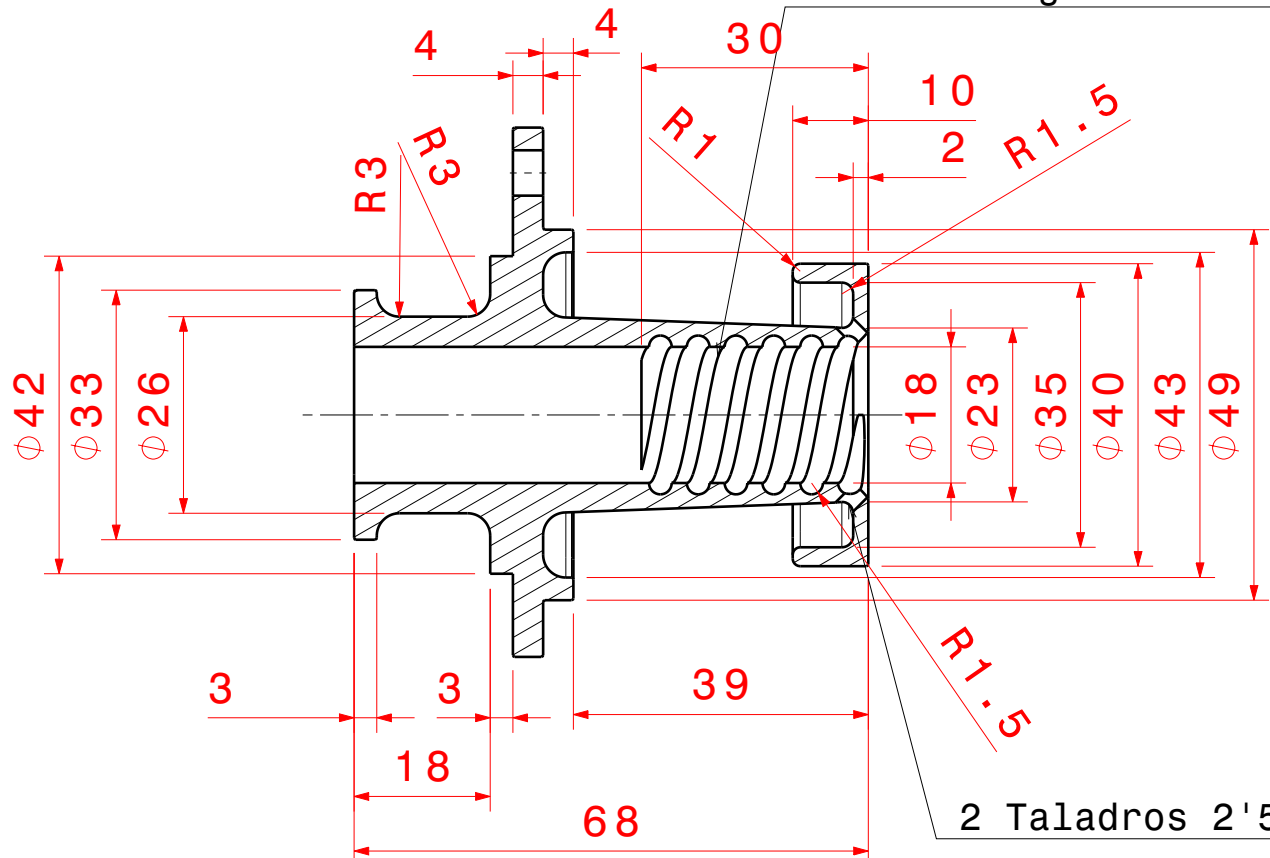
D

C

B

A

Ranuras engrase 2 hilos Paso 10



2 Taladros 2'5 ϕ a 180°

Sección A-A

DESIGNED BY: Ricardo	
DATE: 10/11/2013	
CHECKED BY: XXX	
DATE: XXX	
SIZE A4	
SCALE 1:1	WEIGHT (kg)



ASTEMar

I	-
H	-
G	-
F	-
E	-
D	-
C	-
B	-
A	-

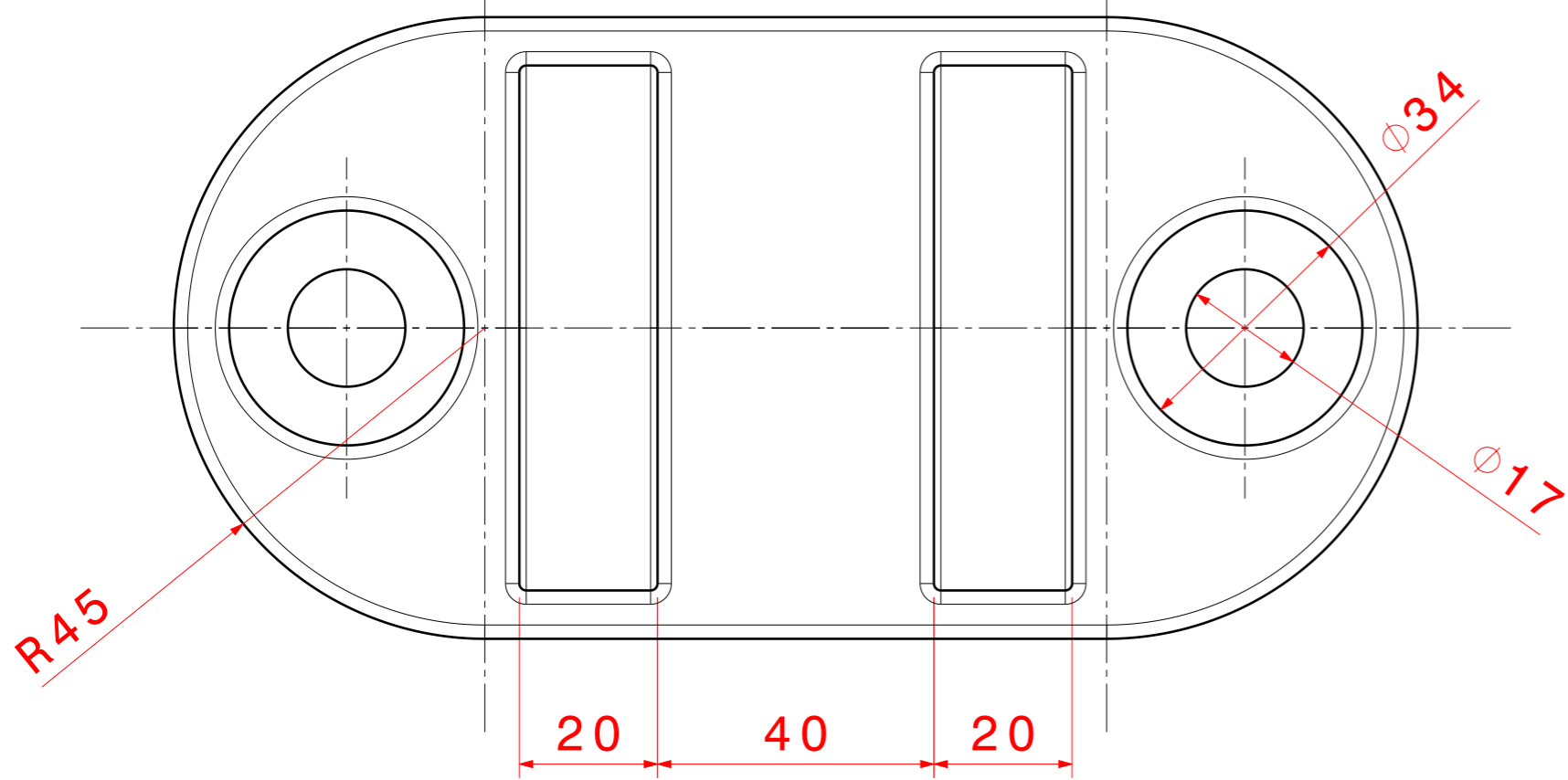
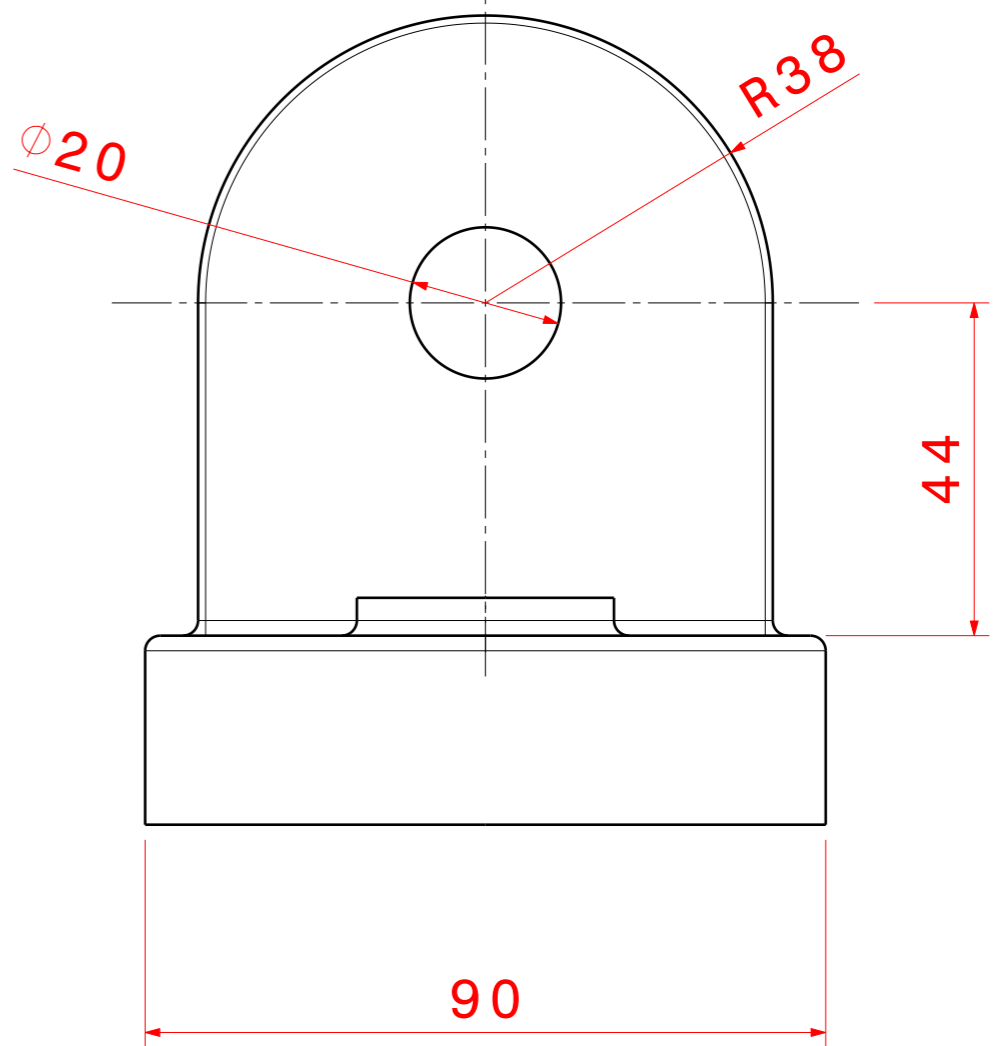
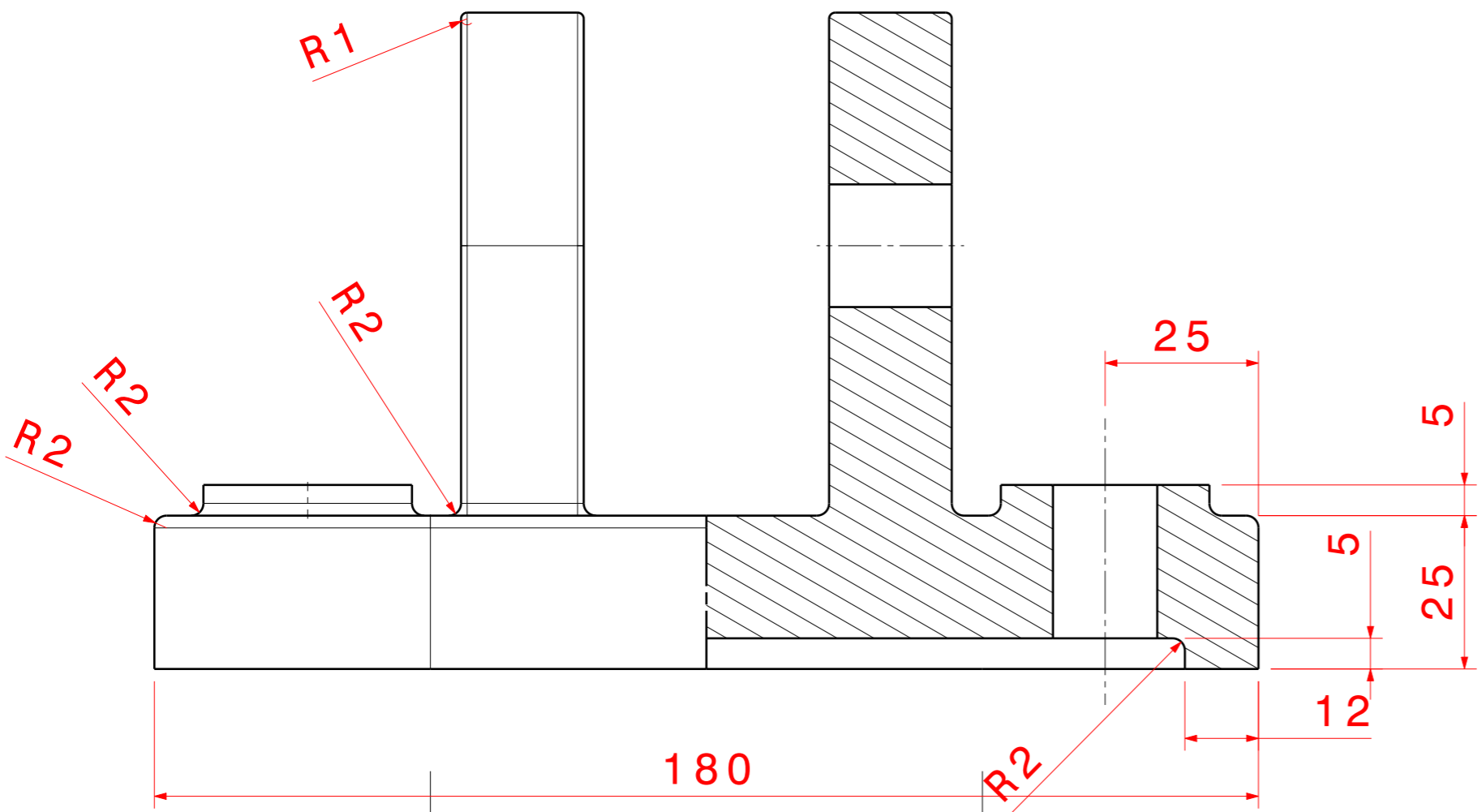
Sola 3 Pag 148

SHEET
1/1

This drawing is our property; it can't be reproduced or communicated without our written agreement.

D

A



DESIGNED BY:	Ricardo
DATE:	10/11/2013
CHECKED BY:	XXX
DATE:	XXX
SIZE:	A3



SCALE:	1:1	WEIGHT (kg):		DRAWING:	Sola 3 Pag 160 Horquilla	SHEET:	1/1
--------	-----	--------------	--	----------	--------------------------	--------	-----

This drawing is our property; it can't be reproduced or communicated without our written agreement.